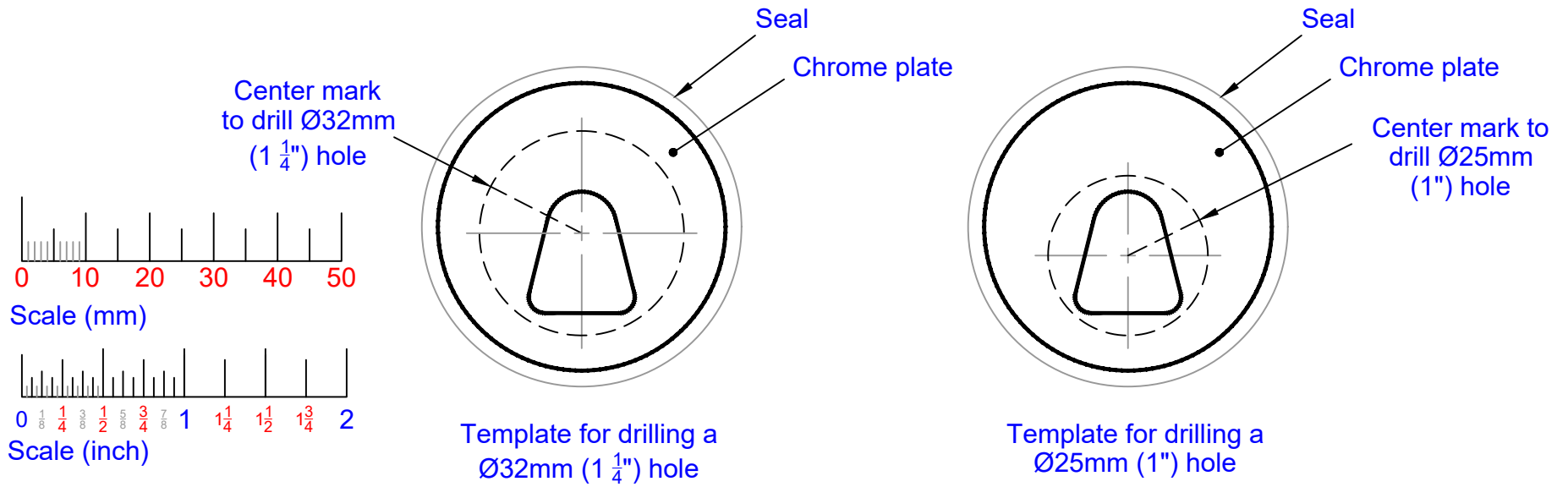


Drilling template for a 25mm (1") or 32mm (1 1/4") hole



Drilling template for a 25mm (1") or 32mm (1 1/4") hole

